

Kiosk V3

The only card printer on the market dedicated to all kiosk applications.

Target applications

- Payment kiosks
- Loyalty / gift cards
- Visitor management
- Access control
- Ticketing

General printer specifications

- Color printing module
- 300 dpi print head (11.8 dots/mm)
- USB connection
- Option for Ethernet TCP-IP connection
- 16 MB RAM
- Flip-over station for dual-sided printing
- Detachable feeder with a capacity of 470 cards (0.76 mm - 30 mil)
- 1-Button and 4-LED control panel

Print modes

- Color dye sublimation and monochrome thermal transfer
- Enhanced color management system for top quality pictures
- Edge-to-edge printing
- Dual-sided printing
- Integrated ribbon saver for monochrome printing

Printing speed

Personalization throughput will depend on card design and printer settings

- Color 1 side (YMCKO): 150 cards/hour
- Color 2 sides (YMCKO-K): 125 cards/hour
- Monochrome 1 side: up to 1000 cards/hour
- Monochrome 2 sides: up to 350 cards/hour

Supported platforms

- Windows™ 7, XP, 2003 and Vista, 32 & 64 bits
- Mac™ OS X v10.2, 10.3, 10.4, 10.5 and 10.6
- Linux

Warranty

- Printer, print head: 1-year warranty, limited to 500,000 passes
Use Evolis Genuine products for best performance and extended lifespan of your printer .



Kiosk with Dualys printing module

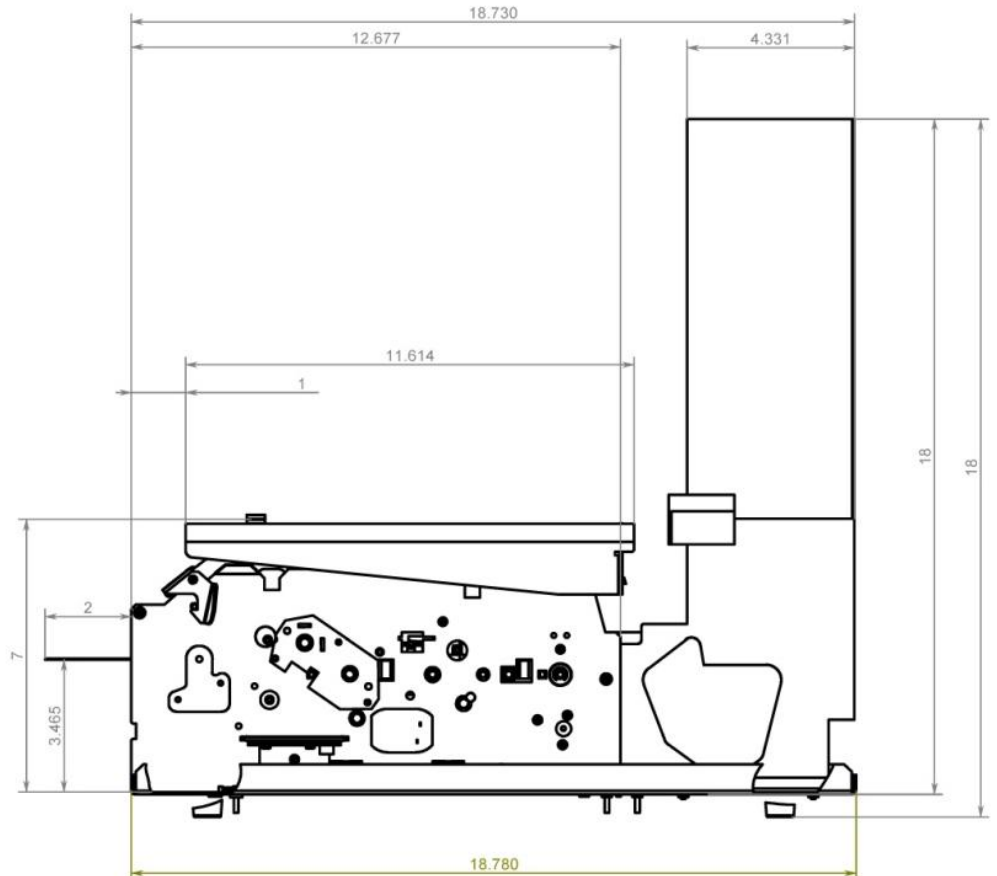
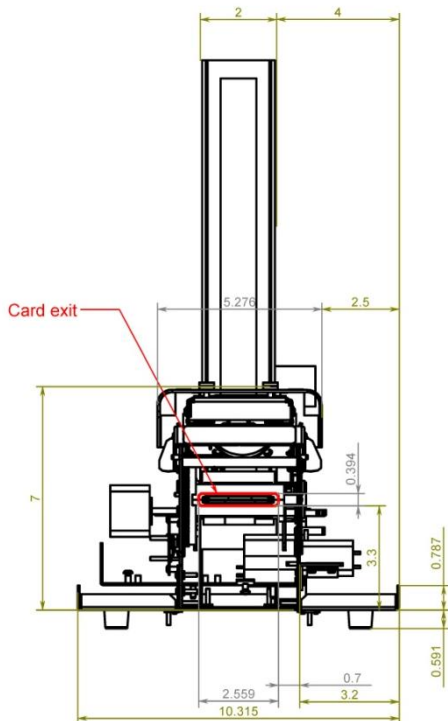
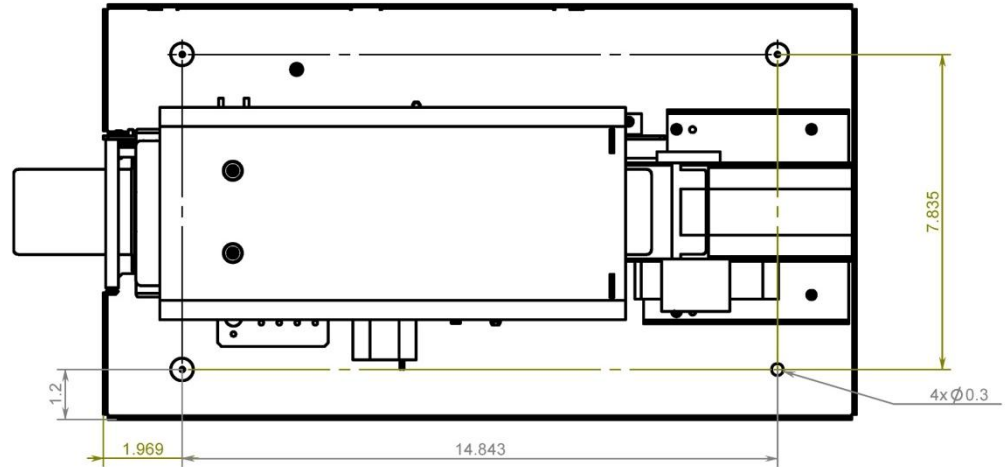
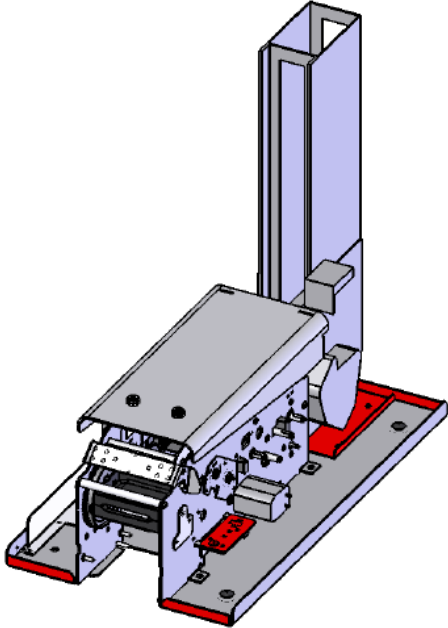
Options:

- Mag
- Smart Contact
- Smart Contactless

DIMENSIONS

In Inches.

Kiosk V3



TransTech Systems, Inc. 888-843-3643 www.ttsys.com

This datasheet provides details regarding the above-mentioned item only. Please note that specifications and details are subject to change without notice and should therefore be confirmed by Evolis prior to any purchase.

